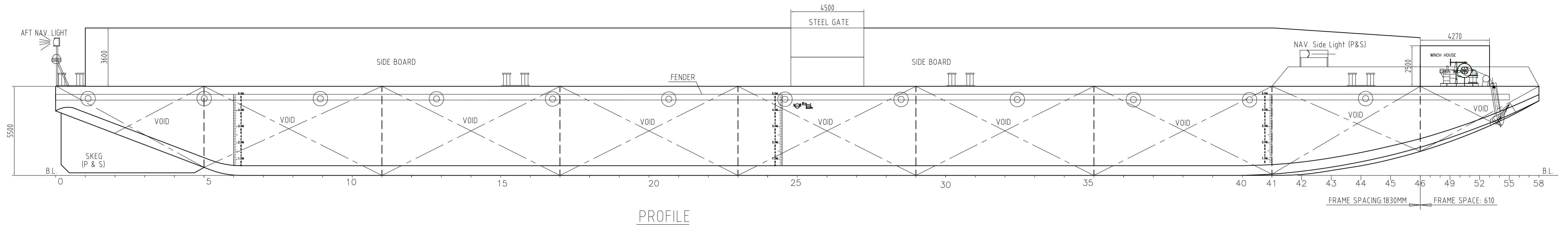
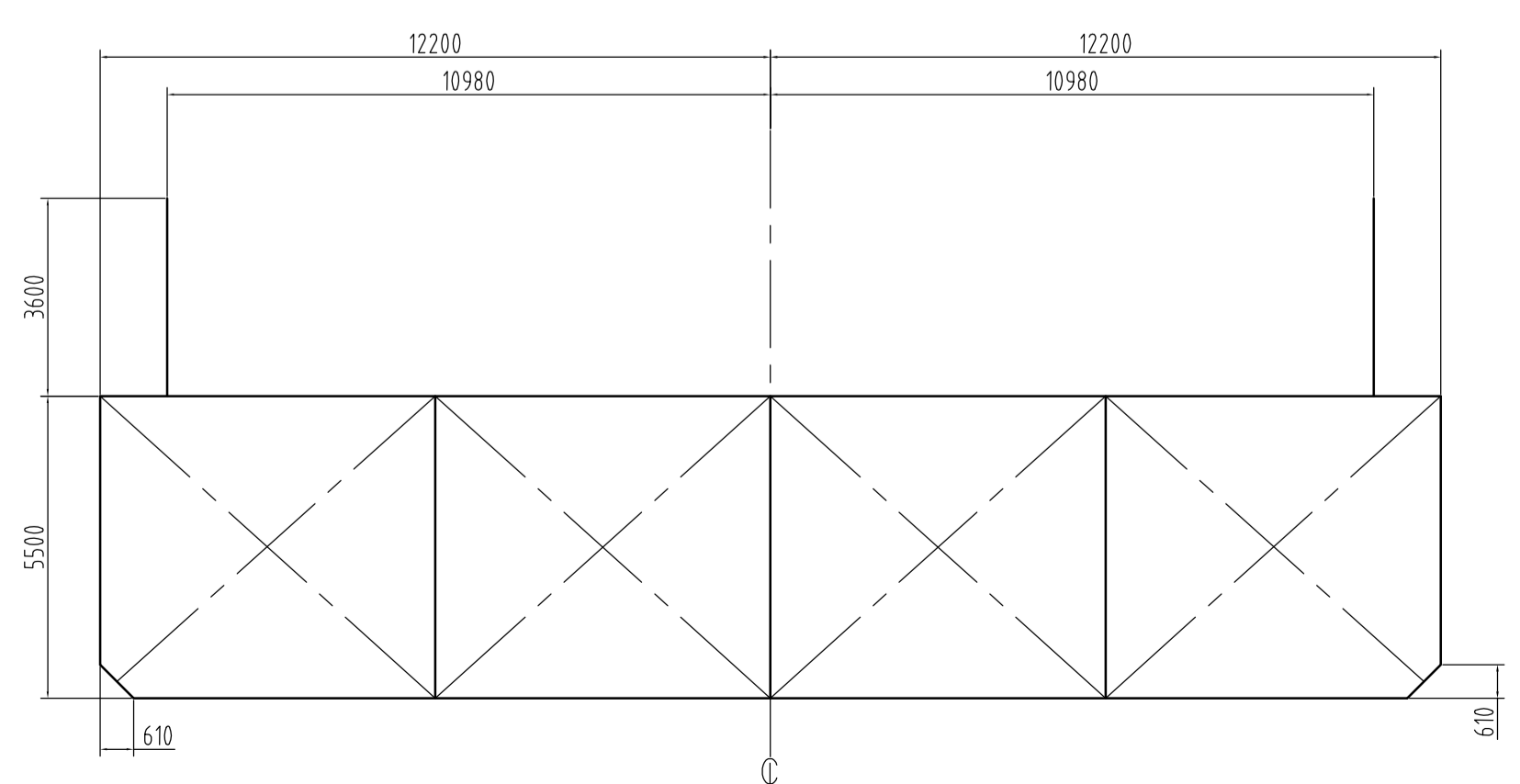
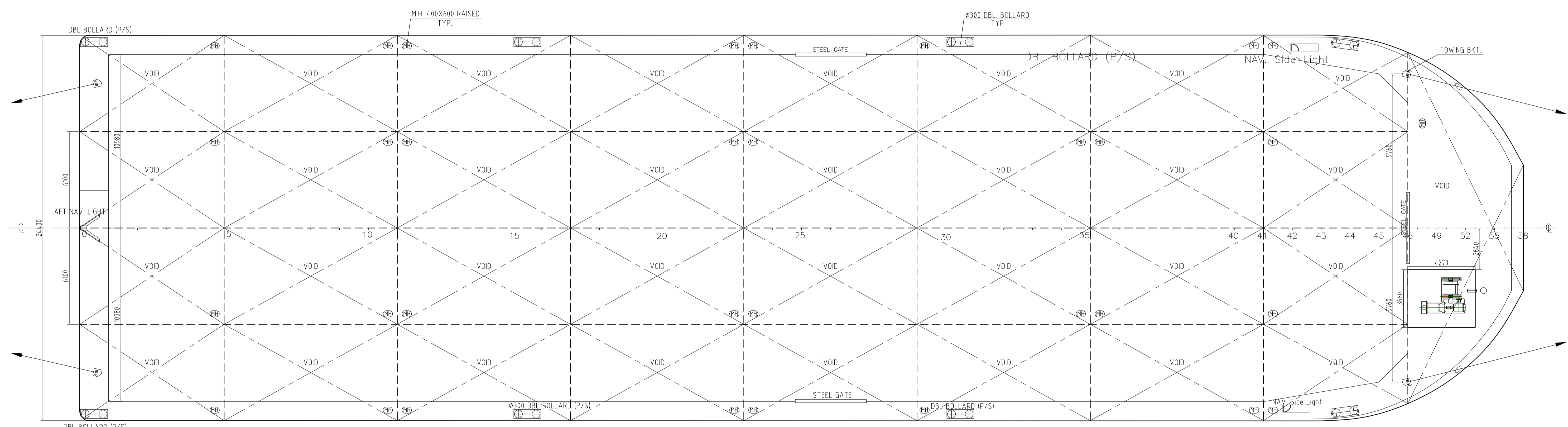


REV.	REVISION DESCRIPTION	BY	DATE
A	FOR APPROVAL	S. C. GAO	14 Sep. 2015



BUREAU VERITAS Section ...30151A...
VU
 Shanghai, 23-Sep-2015
 [Electronic document]
 The plan approval office



PRINCIPAL DIMENSIONS

L.O.A.	91.50	M	(300Ft)
BREADTH (MLD)	24.40	M	(80Ft)
DEPTH (MLD)	5.50	M	(18Ft)
DRAFT(MLD)	4.240M		
DECK LOADING:	7T/M ²		
COAMING LENGTH	82.35M		
BREADTH	21.96M		
HEIGHT	3.60/3.00M		

CLASS NOTATION: PONTOON I HULL

BASIC DESIGN		300' x 80' x 18' DECK CARGO BARGE	OWNER
DESIGNED	S. C. GAO	GENERAL ARRANGEMENT	FLAG
CHECKED			HULL No. LG-29
COUNTERSIGN			DWG No. G-100-01
APPROVED			CLASS SCALE PAGE
VERIFIED			BV 1:125 1/1
DATE	14 Sep. 2015		